

# OYO RIDE



Red

Black

White

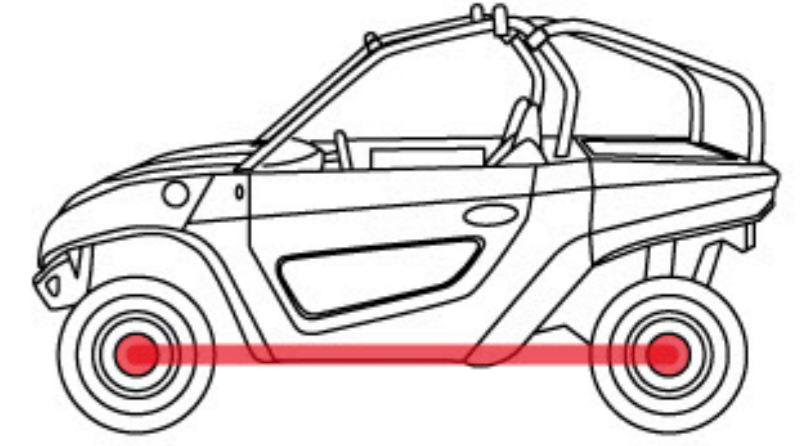
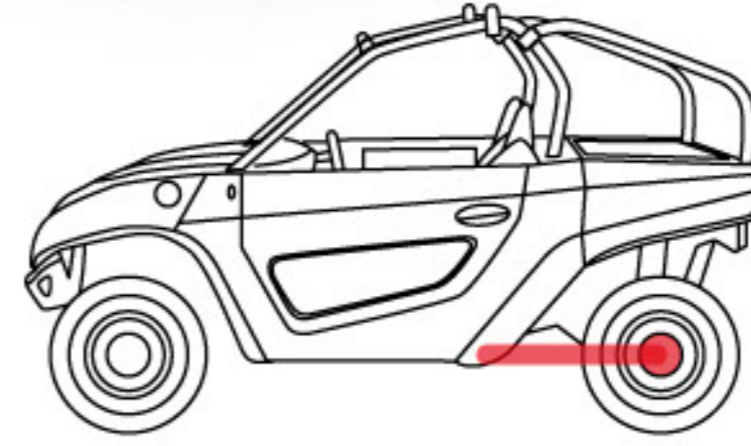
\* Other custom colors on request

Two seater (Optional third seats)

Certification



V twin 800 cm<sup>3</sup> liquid cooled  
Transmission two or four wheel driving



## Equipment of series :

Aluminum wheels  
12V plug  
Seats sport

Seat belt four  
steering wheel sport  
Glove box

Fixed rear tipper

## Engine:

V twin Liquid cooled HSUN

Cylinder: 800 cm<sup>3</sup> with injection

Power : 14.6 Kw at 6500 tr/min eec 43 Kw (fullpower)

Net maximum torque : 41 Nm at 2000 tr/min 51 Nm at 3100 tr/min

fuel tank capacity: 36 L+-0.5

Ignition : electronic CDI

Transmission: shaft 4x2

Gear box: automatic height speed and low speed + reverse

Freins : 4 discs de 270 mm with hydraulic rear hand brake

Tire size : Av 25x8x12 Ar 25x10x12

Suspension : 4 wheel independent double wishbone

Shock absorber : hydraulic adjustable

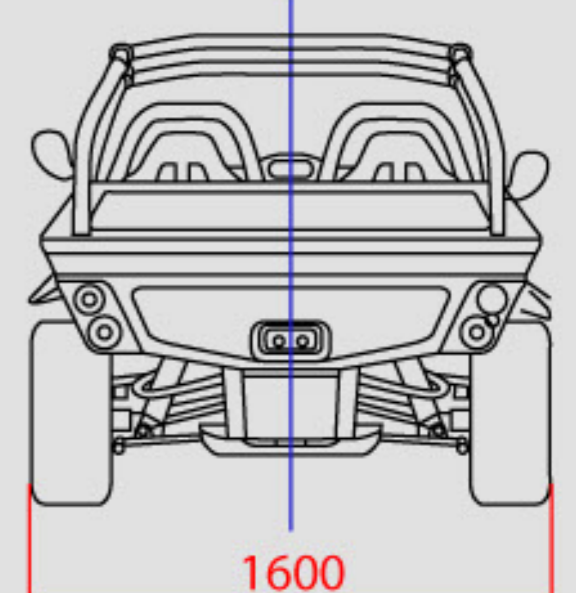
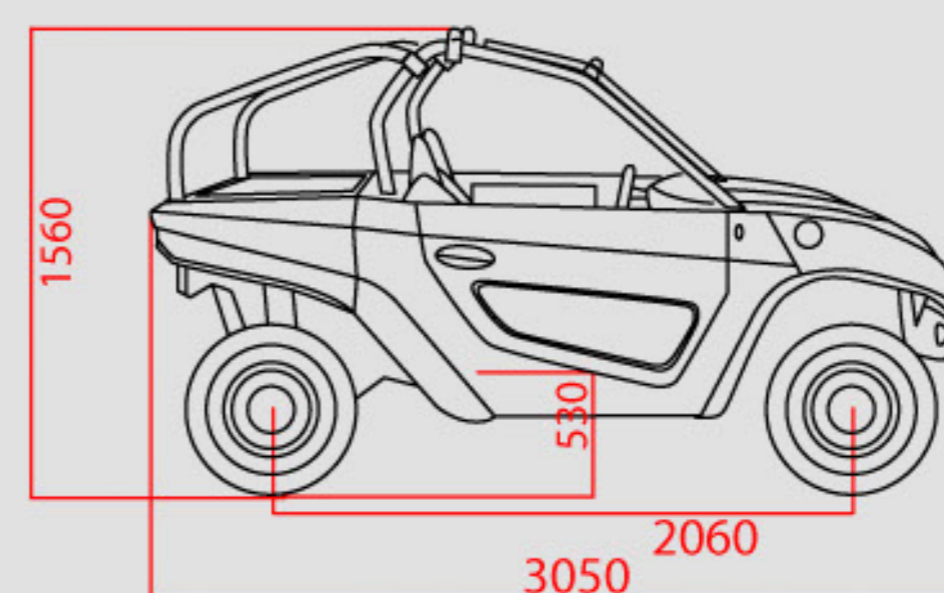
Batterie : 12V

Total weight : 547 kg

## Performance:

Maximum speed : 56 mph

68 mph (fullpower)





## Accessories :

- Pack heater (ventilation and defogging front)
- Pack Sound (dual speaker, radio mp3 + auxiliary jack)
- Windscreen laminated glass approved (with windscreen wiper and windshield washer)
- rear window
- Hard top
- Lower door
- Door Top Seal
- side window
- Door panel
- Luggage compartment
- Third booster seat
- Kit four wheel drive
- Rear axle
- polycarbonate windscreen
- Lateral protection fillet
- Silencer race
- Protection kit wishbone
- Shock absorber race
- Long range light Led
- Electric winch
- Trailer coupling

## Personnalisation :

- Kit stickers déco oxobike
- custom colors on request car body
- Covering personalized by your vehicle

This model :  
Windscreen, rear window  
hard top, luggage compartement



OXOBIKE  
MFB DIFFUSION  
ZONE ARTISANALE, LA GOUTTE  
42390 VILLARS (France)



[www.oxo-car.com](http://www.oxo-car.com)  
Phone: +33 (0)4 77 74 00 68  
[oxobike@oxobike.fr](mailto:oxobike@oxobike.fr)