



Red

Black

white

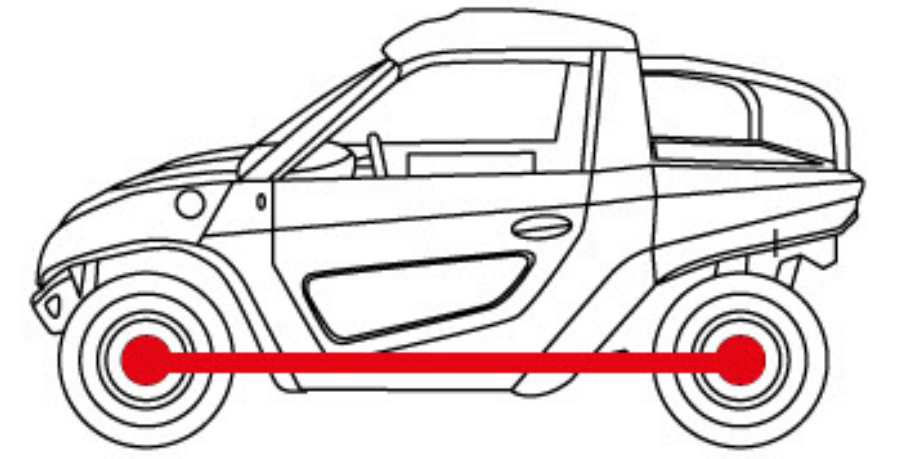
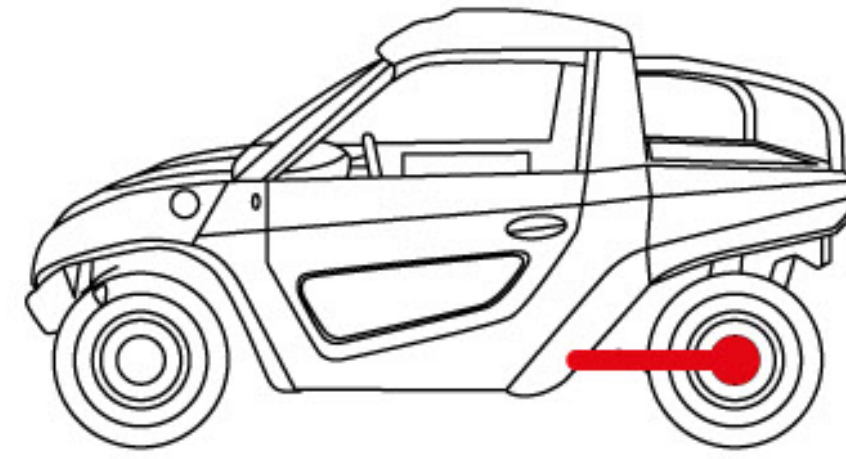
\*Other custom colors on request

Two seater (Optional third seats)

Certification



V twin 800 cm3 liquid cooled  
Transmission two or four wheel driving



## Equipment of series :

Aluminum wheels  
12V plug  
Seats sport

Seat belt four  
steering wheel sport  
Glove box

windscreen front and back with hard top,  
luggage compartment with key lock  
Heater and radio Mp3 + auxiliary jack  
Top and bottom of the door  
Side sills

## Engine:

V twin Liquid cooled HSUN

Cylindrer: 800 cm3 with injection

Power : 14.6 Kw at 6500 tr/min eec 43 Kw (fullpower)

Net maximum torque : 41 Nm at 2000 tr/min 91 Nm at 3100 tr/min (fullpower)

fuel tank capacity: 36 L+-0.5

Ignition : electronic CDI

Transmission: shaft 4x2

Gear box: automatic heightspeed and low speed + reverse

Freins : 4 discs de 270 mm with hydraulic rear hand brake

Tire size : Av 25x8x12 Ar 25x10x12

Suspension : 4 wheel independent double wishbone

Shock absorber : hydraulic adjustable

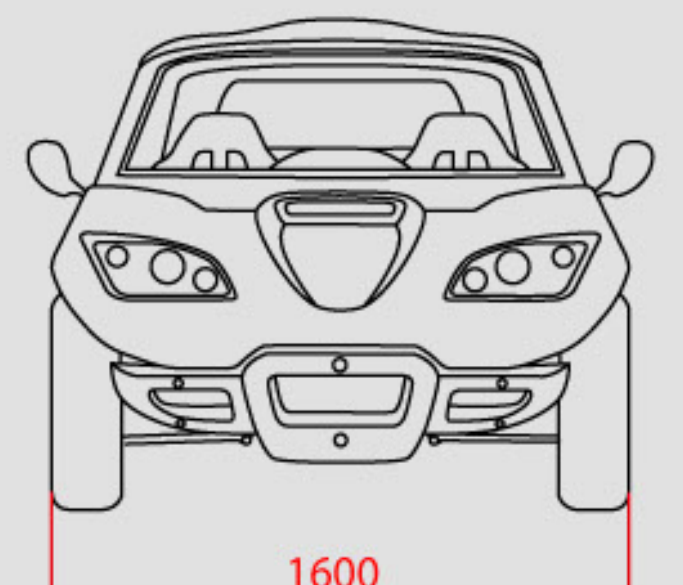
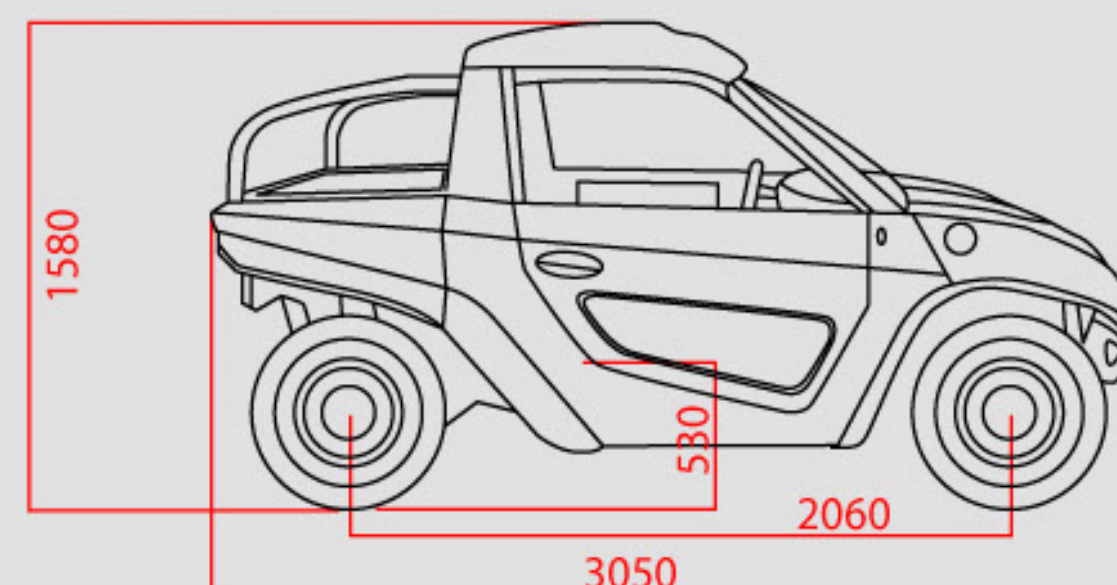
Batterie : 12V

Total weight : 547 kg

## Performance:

Maximum speed : 56 mph eec

68 mph (fullpower)







### Accessories :

- Third booster seats
- Trailer coupling
- Silencer race
- Side sill chrome
- Kit four wheel drive
- Rear axle
- Rear arch
- Door panel

### Personnalisation :

- Kit stickers déco oxobike
- custom colors on request car body
- Covering personalized by your vehicle

This model is equipped with the door panels and the rear arch



OXOBIKE  
MFB DIFFUSION  
ZONE ARTISANALE, LA GOUTTE  
42390 VILLARS (France)



[www.oxo-car.com](http://www.oxo-car.com)  
Phone: +33 (0)4 77 74 00 68  
[oxobike@oxobike.fr](mailto:oxobike@oxobike.fr)